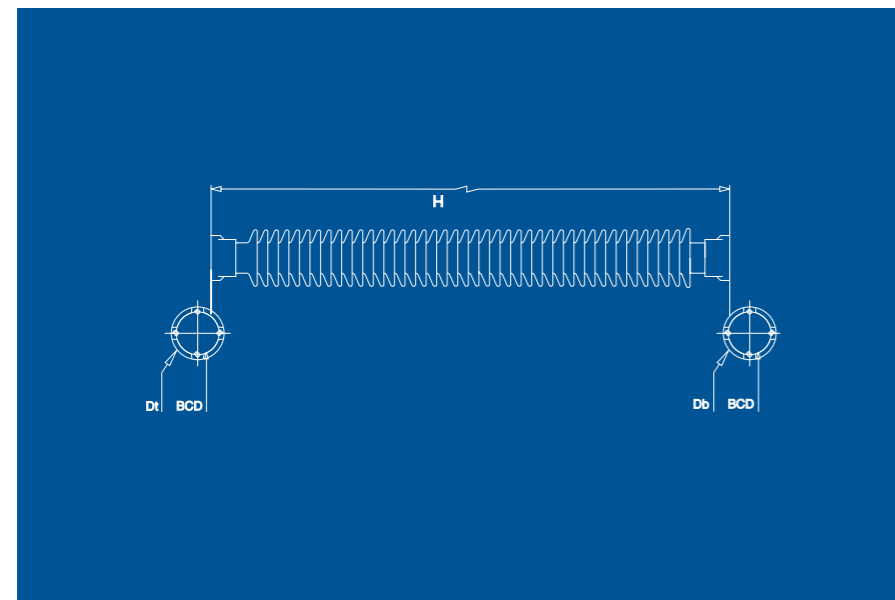


TYPE

# BIL 900 kV

BIL	900 kV				
	TAPERED		UNIFORM		
Style	900 HT	900 ET	900 SU	900 HU	900 EU
Catalog Number	900 HT	900 ET	900 SU	900 HU	900 EU
ANSI Technical Reference	TR308		TR304	TR308	
Non ANSI Description	900-1450	900-2750	900-950	900-1450	900-2750
<b>Dimensions</b>					
Leakage Distance (in)	165	165	165	165	165
Height (in)	80	80	80	80	80
Max Shed Diameter (in)	7.9	8.7	7	7.7	8.6
Top BCD (in)	5	5	5	5	7
Diameter Dt (in)	6.3	6.3	6.2	6.3	8.7
Bottom BCD (in)	5	7	5	5	7
Diameter Db (in)	6.3	8.7	6.2	6.3	8.7
<b>Mechanical Values</b>					
Cantilever Strength, Upright, Pounds	1450	2750	950	1450	2750
Tensile Strength, Pounds	25000	25000	20000	25000	40000
Torsion Strength, Inch-Pounds	90000	90000	40000	90000	133000
Compression Strength, Pounds	75000	90000	60000	75000	150000
<b>Electrical Values</b>					
Impulse Flashover, Positive, kV	1010	1010	1010	1010	1010
Low Frequency Withstand, 10 Sec. Wet, kV	385	385	385	385	385
Impulse Withstand, kV	900	900	900	900	900
<b>Radio Influence Voltage Data</b>					
Test Voltage, Rms to Ground, kV	146	146	146	146	146
Maximum RIV, Microvolts at 1000kHz	500	500	500	500	500
<b>Weight</b>					
Approximate Net Weight, Pounds	226	303	181	246	335

S = Standard Strength    U = Uniform, Upright and Underhung    P = Pollution/High Leakage    BCD = Bolt Circle Diameter  
 H = High Strength    T = Tapered, Upright Only    Y = Higher Cantilever Option    Dt = Diameter Top Fitting  
 E = Extra High Strength    V = Inverted    Z = Higher Cantilever Option    Db = Diameter Bottom Fitting



TYPE

# BIL 900 kV

BIL	900 kV				
	TAPERED		UNIFORM	TAPERED	
Style	HIGH STRENGTH		HIGH LEAKAGE		
Catalog Number	900 YT	900 ZT	900 SUP	900 HTP	900 ETP
ANSI Technical Reference					
Non ANSI Description	900-3000	900-4000	900-950	900-1450	900-2750
<b>Dimensions</b>					
Leakage Distance (in)	165	171	227	229	228
Height (in)	80	80	80	80	80
Max Shed Diameter (in)	8.7	9.4	8.7	8.9	10.1
Top BCD (in)	5	5	5	5	5
Diameter Dt (in)	6.3	6.3	6.2	6.3	6.3
Bottom BCD (in)	7	12	5	5	7
Diameter Db (in)	8.7	13.2	6.2	6.3	8.7
<b>Mechanical Values</b>					
Cantilever Strength, Upright, Pounds	3000	4000	950	1450	2750
Tensile Strength, Pounds	25000	31500	20000	25000	25000
Torsion Strength, Inch-Pounds	90000	88500	40000	90000	90000
Compression Strength, Pounds	75000	260000	60000	75000	90000
<b>Electrical Values</b>					
Impulse Flashover, Positive, kV	1010	1010	1010	1010	1010
Low Frequency Withstand, 10 Sec. Wet, kV	385	385	385	385	385
Impulse Withstand, kV	900	900	900	900	900
<b>Radio Influence Voltage Data</b>					
Test Voltage, Rms to Ground, kV	146	146	146	146	146
Maximum RIV, Microvolts at 1000kHz	500	500	500	500	500
<b>Weight</b>					
Approximate Net Weight, Pounds	305	368	219	254	341

S = Standard Strength    U = Uniform, Upright and Underhung    P = Pollution/High Leakage    BCD = Bolt Circle Diameter  
 H = High Strength    T = Tapered, Upright Only    Y = Higher Cantilever Option    Dt = Diameter Top Fitting  
 E = Extra High Strength    V = Inverted    Z = Higher Cantilever Option    Db = Diameter Bottom Fitting

